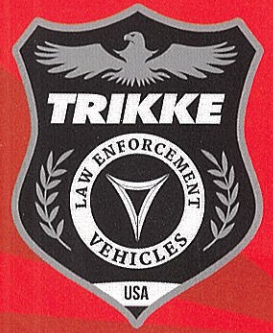


TRIKKE™ PROFESSIONAL MOBILITY



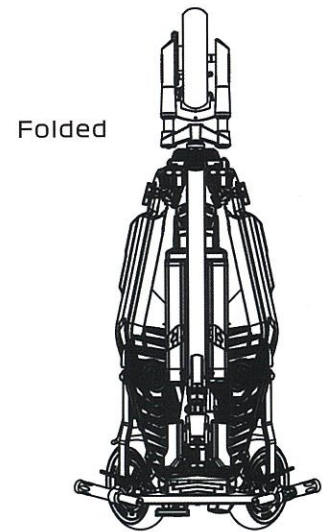
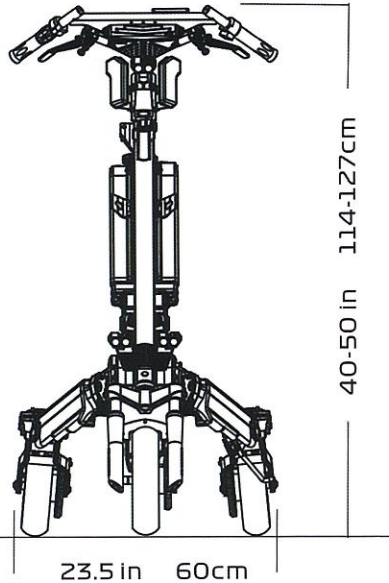
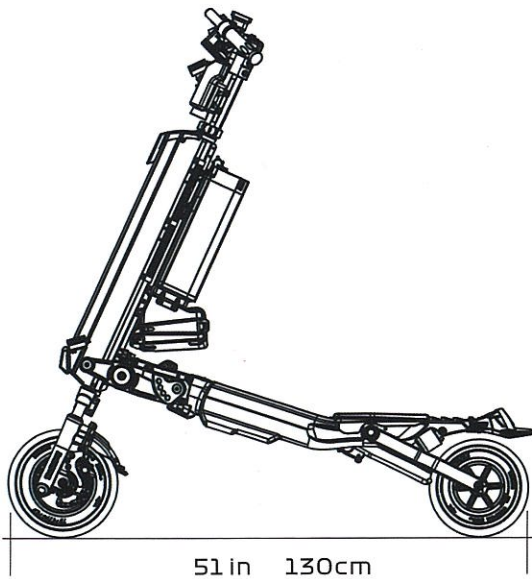
POSI.TRON POSITIVE INTERACTION

- Promotes community engagement
- Expands foot patrol coverage area
- Elevated professional presence
- Improves tactical advantage
- Faster response times
- Increases visibility

POSI.TRON is a Professional Grade all-wheel drive Personal Electric Vehicle ready for the challenging POLICE tasks. Highly ergonomic, silent running, clean, compact, yet a powerful and smooth drive. Rugged construction for continuous use, indoors, outdoor, all-terrain, all-weather. Sport suspension, all-wheel disc brakes and cambering technology for enhanced stability. Fully loaded with ultra-bright flashing lights, siren with air horn and gear carrier. Long range, fast paced, this machine will get you there without a sweat. An essential tool for the modern POLICE.



POLICE SPEC



FRAME

Hydroformed aluminum AL6061 T6
Patented forged cambering system
Foldable to compact size

BRAKES

All-wheel hydraulic disc brake
140mm brake rotors
Regenerative e-braking

ELECTRIC DRIVE

Quick-swap Li-ion Battery
60V 1470Wh (24.5Ah)
All-wheel drive / direct drive motors
Rated maximum power 1000W **

PERFORMANCE

Top Speed 37mph (60km/h) **
* Range up to 30 miles (48 km)
Acceleration 0-30mph (0-48km/h in 10-15s)

* Optional spare battery for extended range and continuous operation

** Rated power [W] and maximum speed [mph] can be restricted to comply to local and state laws.

POSITRON

POLICE SPEC

SUSPENSION

Front telescopic hydraulic shocks
Rear swing arms with adjustable shocks

WEIGHT and CAPACITY

Vehicle's weight with battery 90lb (41 kg)
Max rider's weight 300lbs

FEATURES

Ultra-bright headlights
Full multi-tone siren
brake lights, turn signal
Emergency warning lighting system
Reflective POLICE Stickers

TRIKKE TECH, INC.
132 Easy Street - ste D1
Buellton, CA 93427
USA



trikkemobility.com
sales@trikke.com
ph: +1 (805) 693-0800